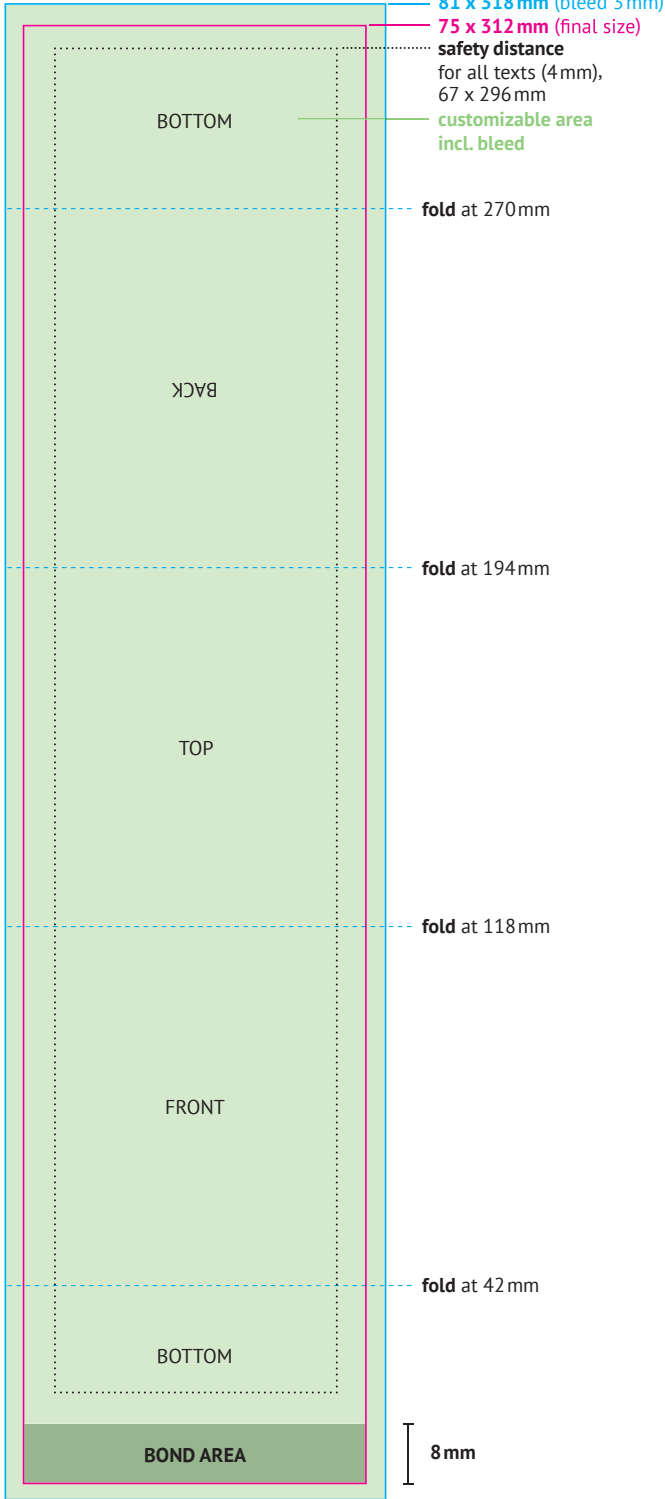


CUSTOMIZED ECOPHONE SPEAKER

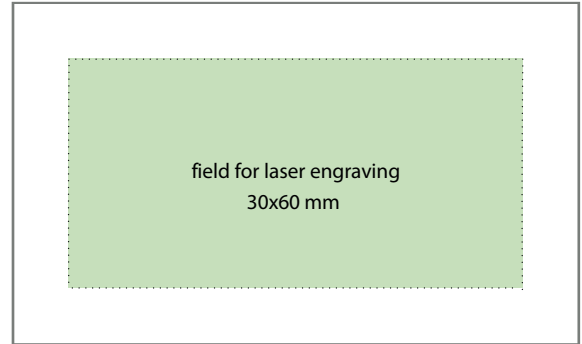


SLEEVE

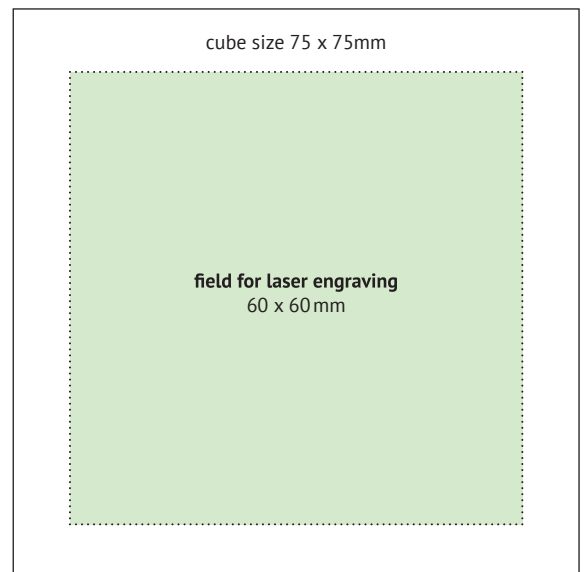
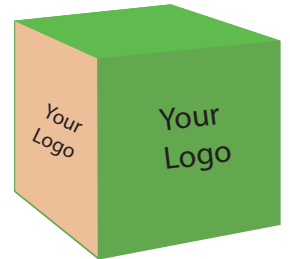


create printing files in original size: scale 1 :1
 bleed: 3 mm
 safety distance: 4 mm for all fonts
 color code: CMYK | resolution: 300 dpi
 fonts: convert into paths
 printing files: solely as PDF (hide template, no crop marks),
 format 81 x 318 mm

LASER ENGRAVING



LASER ENGRAVING



create printing files in original size: scale 1 :1
 bleed: no bleed is required
 color code: RGB black/white or RGB grayscale
 resolution: vector graphics
 fonts: convert into paths
 printing files: solely as vector graphics (PDF/eps./ai./cdr.),
 format 45 x 75mm front and format 75 x 75mm back

SLEEVE

BOTTOM

.....safety distance

—— 75 x 312 mm final size

—— 81 x 318 mm bleed 3 mm

BACK

TOP

FRONT

BOTTOM

BOND AREA

LASER
ENGRAVING

Your logo

Field for laser engraving
30x60 mm

LASER
ENGRAVING

Your
logo

Field for laser engraving
60x60 mm